

### Description

The NuVent MR Series fan-lights offer exceptionally quiet performance in a sturdy galvanized steel housing plus a bright ceiling light. All MR Series fan-lights feature a round grille with curved vents for contemporary style. An attractive option for bathroom and general ventilation applications.

### Features

#### Grille/Light Assembly

- Attractive square styling with soft curved vents and removable lens.
- Textured, white polymeric.
- Mounts directly to housing with #10 Philips hex screw (included).

#### Housing

- Heavy 22-gauge galvanized steel construction.
- Plastic discharge collar with backdraft damper for easy attachment to 4" diameter duct.
- Mounts with side mounting tabs or hanger bars (included).
- Top and side electrical knockouts for easy access.
- Large removable wiring compartment.

#### Blower

- Removable blower with easy slide-in mounting.
- Balanced polymeric, forward curved blower wheel.
- Plug in motor rated for 120 volts 60 Hz operation.

#### Light

- Energy efficient 21-watt 2-D style fluorescent light.
- Bright 1350 lumen output.

#### Other

- This product is approved for use over tub/shower enclosures when installed in a GFI protected branch circuit.
- Permanently lubricated, ball bearing shaded pole motor.
- Also available in MS Series with square grille.

#### Performance

- Air Delivery – 110 CFM @ .1" w.g. s.p.
- Sound Level - 3.5 sones
- Volts – 120
- Hertz – 60
- Amps – 1.40
- Watts – 49 (fan only)
- Duct – 4" round
- Lamp – G.E. 2-D 21-watt



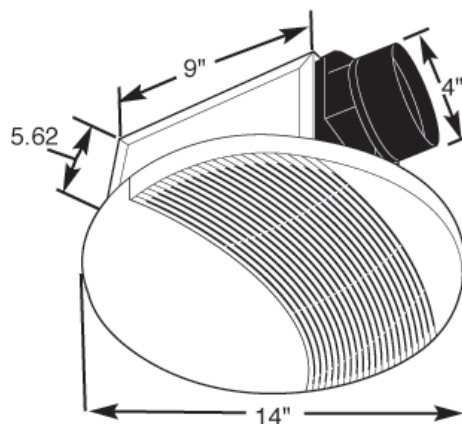
The Home Ventilating Institute has tested and certified the airflow performance (CFM) and sound levels (sones) of this product.

#### General

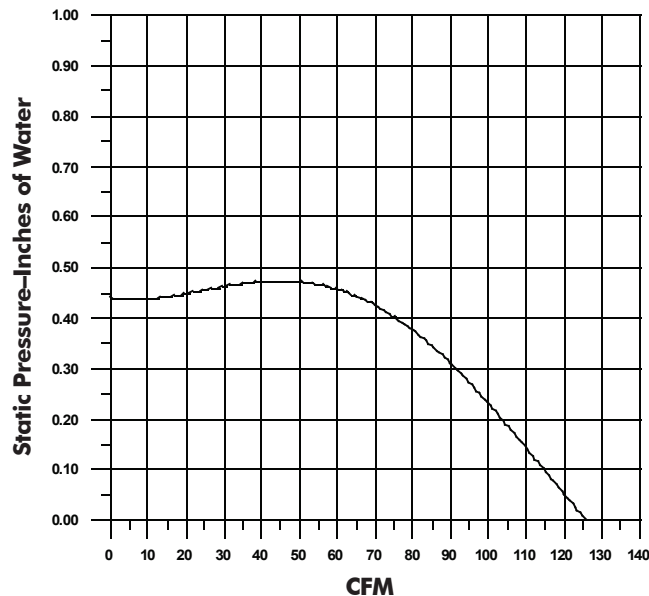
This product has been evaluated by Underwriters Laboratories and conforms to both UL and CSA safety standards.

### Specifications

NuVent fan-light combination NXMR110FL. The fan-light shall be constructed with a galvanized steel housing featuring side tab or hanger bar mounting and 4" diameter discharge collar. The blower unit shall be removable with a permanently lubricated, ball bearing, plug-in motor. Air delivery and sound levels shall be certified by HVI at the levels listed for this model. All units shall be UL listed.



NuVent Product Performance  
Model NXMR110FL



| SPECIFICATION |          |          | PROJECT:      |
|---------------|----------|----------|---------------|
| Reference     | Quantity | Comments | Location:     |
|               |          |          | Architect:    |
|               |          |          | Engineer:     |
|               |          |          | Contractor:   |
|               |          |          | Submitted by: |
|               |          |          | Date:         |